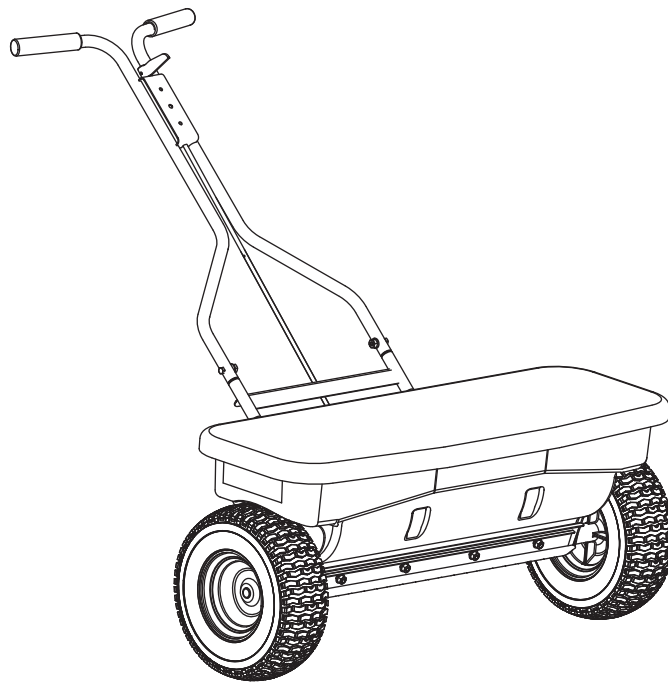




Walk-Behind Drop Spreader

TS-95

Owner's Manual and Installation Instructions
Original Instructions



⚠ CAUTION

**Read this document before operating or
servicing the spreader.**

This document is for TurfEx® TS-95 walk-behind drop spreaders with
serial numbers PF-101257 and higher, or
serial numbers PG-101265 and higher.

This document supersedes all editions with an earlier date.



TABLE OF CONTENTS

PREFACE	5
Owner's Information.....	5
SAFETY	7
LOADING	9
ASSEMBLY	10
CALIBRATION INFORMATION	11



PREFACE

This manual has been prepared to acquaint you with the safety information, operation, and maintenance of your new walk-behind spreader. Please read this manual carefully and follow all recommendations. This will help ensure profitable and trouble-free operation of your spreader. Keep this manual accessible. It is a handy reference in case minor service is required.

When service is necessary, bring your walk-behind spreader to your distributor. They know your spreader best and are interested in your complete satisfaction.

Register your spreader online at www.turfexproducts.com

OWNER'S INFORMATION

Owner's Name: _____

Date Purchased: _____

Outlet Name: _____ Phone: _____

Outlet Address: _____

Spreader Type (Model): _____ Weight: _____ lb/kg

Spreader Serial Number: _____



SAFETY

SAFETY DEFINITIONS

WARNING

Indicates a potentially hazardous situation that, if not avoided, could result in death or serious personal injury.

CAUTION

Indicates a potentially hazardous situation that, if not avoided, may result in minor or moderate injury. It may also be used to alert against unsafe practices.

NOTE: Indicates a situation or action that can lead to damage to your spreader and vehicle or other property. Other useful information can also be described.

LABELS

Please become familiar with the labels on the spreader.

NOTE: If labels are missing or cannot be read, see your sales outlet.

Code	Definition
YY	2-Digit Year
MM	2-Digit Month
DD	2-Digit Day
LL	2-Digit Location Code
####	4-Digit Sequential Number
TS-95	Model Number

SAFETY

SAFETY PRECAUTIONS

Improper installation and operation could cause personal injury and/or equipment and property damage. Read and understand labels and this Owner's Manual before installing, operating, or making adjustments.

WARNING

- Always make sure personnel are clear of areas of danger when using equipment.
- Before working with the spreader, secure all loose-fitting clothing and unrestrained hair.
- Do not climb into or ride on spreader.
- Never attempt to lift a unit with material in it.
- Always inspect unit for defects and replace any broken, missing, or worn parts immediately.
- Always check areas to be spread to be sure no hazardous conditions or substances are in the area.

CAUTION

- Do not operate a spreader in need of maintenance.
- Before operating the spreader, reassemble any parts or hardware removed for cleaning or adjusting.
- Before operating the spreader, remove materials such as cleaning rags, brushes, and hand tools from the spreader.
- Never use wet materials or materials with foreign debris with this spreader. This unit is designed to handle dry, clean free-flowing material.

CAUTION



DO NOT leave unused material in hopper. Material can freeze or solidify, causing unit to not work properly. Empty and clean after each use.

NOTE: Lubricate grease fittings after each use. Use a good quality multipurpose grease.

PERSONAL SAFETY

- Wear only snug-fitting clothing while working on your spreader.
- Do not wear jewelry or a necktie, and secure long hair.
- Wear safety goggles to protect your eyes from dirt and dust.

NOISE

Airborne noise emission during use is below 70 dB(A) for the spreader operator.

VIBRATION

Operating spreader vibration does not exceed 2.5 m/s² to the hand-arm or 0.5 m/s² to the whole body.

LOADING

LOADING YOUR SPREADER

⚠ WARNING

Do not overload spreader. Use chart below to calculate weight of material. Weights of material are an average for dry materials.

Material Weights

⚠ CAUTION



Read and adhere to fertilizer manufacturer's material package labeling including Material Safety Data Sheet requirements.

Material	Density (lb/ft ³)
Fertilizer	See product information on bag or bulk material.

⚠ WARNING

Never remove spreader from vehicle with material in it as this could cause damage to the frame assembly.

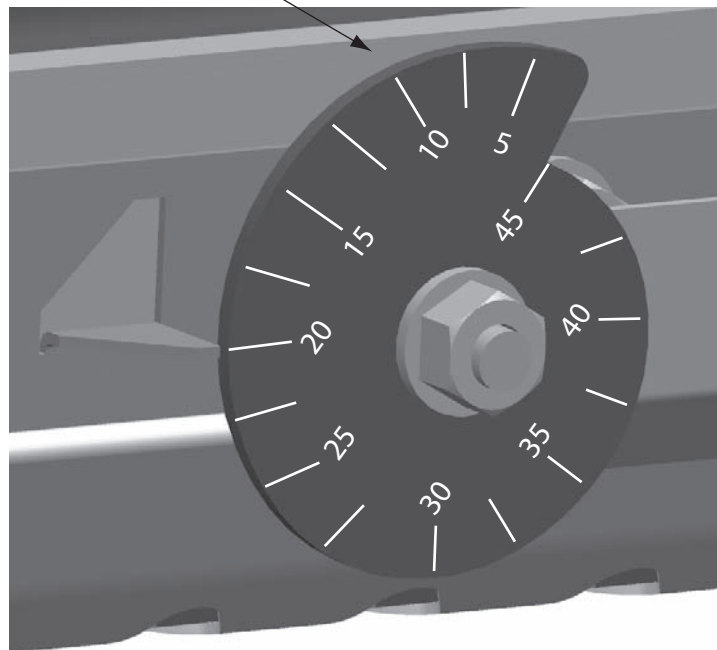
⚠ CAUTION

DO NOT leave unused material in hopper for long periods of time. Fertilizers are hygroscopic and will attract atmospheric moisture and harden up. Empty and clean after each use.

SPREADING TIPS

- Use care when operating spreader near pedestrians.
- For a heavier pass, walk slower.
- Adjust material flow by rotating the cam wheel to either increase or decrease gate slide movement, see below.

Calibration Indicator Marks



ASSEMBLY

ASSEMBLY INSTRUCTIONS

⚠ WARNING

Use safety glasses and gloves when inflating and installing the tires. Use manual pump only to inflate. Refer to the tire sidewall for manufacturer's recommended pressure. Do not exceed the maximum inflation pressure.

1. Tires are not fully inflated when shipped. Inflate tires with a manual pump.

2. Insert rod end into gate slide. Lock in place with hairpin clip and washer as shown in Figure 1.
3. Assemble the upper handle assembly to main frame (see Figure 3). Simultaneously insert rod into upper handle as shown in Figure 2.
4. Attach clear protective cover to hopper.

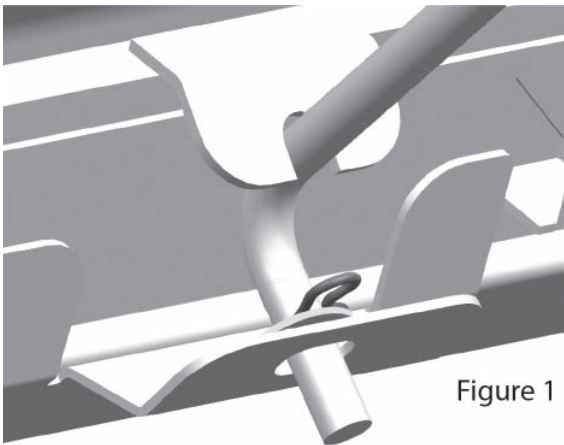


Figure 1

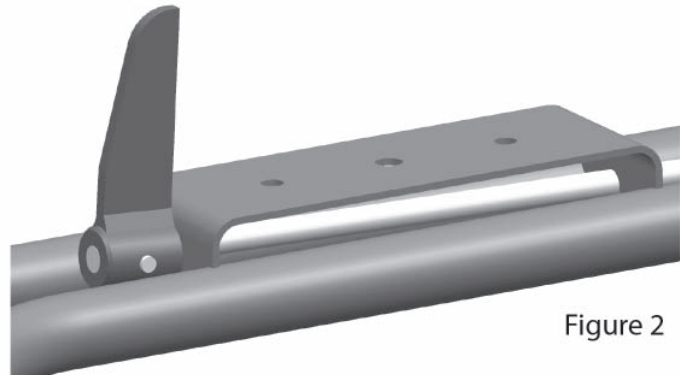


Figure 2

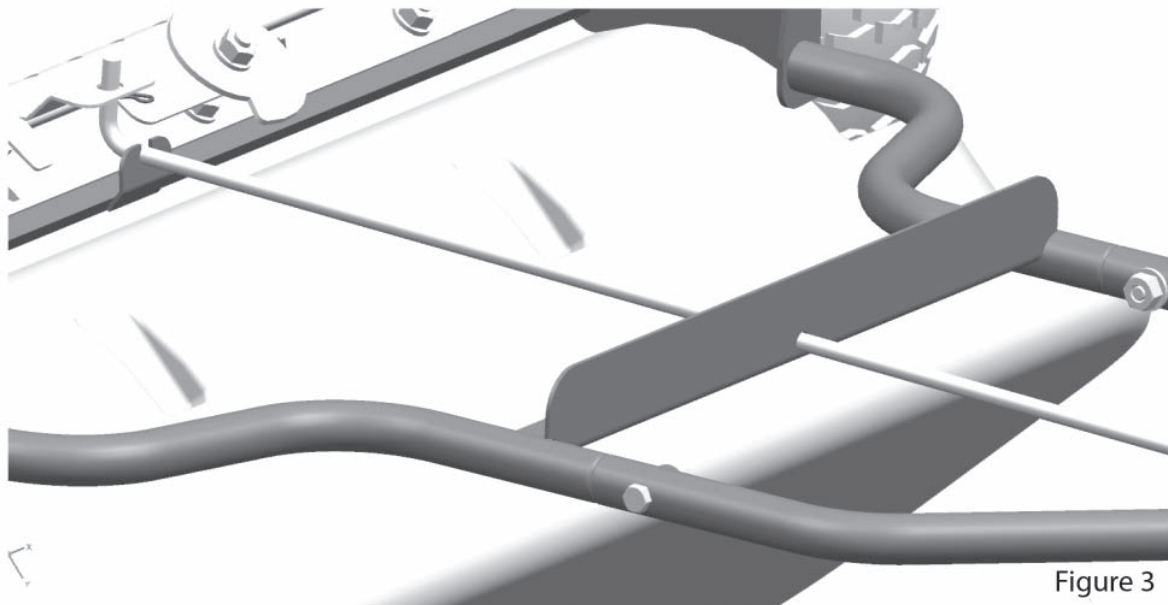


Figure 3

CALIBRATION INFORMATION

Setting #	Pounds Dropped	Distance	Setting #	Pounds Dropped	Distance
1	0	100'	24	45.5	1000'
2	0	100'	25	50.8	1000'
3	0	100'	26	56.6	1000'
4	0	100'	27	67.6	1000'
5	0	100'	28	69.6	1000'
6	0	100'	29	76.0	1000'
7	0	100'	30	81.0	1000'
8	0	100'	31	83.2	1000'
9	0	100'	32	98.0	1000'
10	0.05	1000'	33	104.6	1000'
11	0.13	1000'	34	127.2	1000'
12	0.70	1000'	35	134.4	1000'
13	1.12	1000'	36	148.4	1000'
14	2.50	1000'	37	160.0	1000'
15	5.25	1000'	38	171.2	1000'
16	6.75	1000'	39	180.0	1000'
17	13.3	1000'	40	208.0	1000'
18	17.8	1000'	41	236.0	1000'
19	21.7	1000'	42	273.0	1000'
20	27.5	1000'	43	286.8	1000'
21	28.1	1000'	44	327.6	1000'
22	32.25	1000'	45	350.0	1000'
23	38.8	1000'			



TrynEx International
531 Ajax Drive
Madison Heights, MI 48071-2429
www.turfexproducts.com

 A DIVISION OF DOUGLAS DYNAMICS, LLC



This product conforms to EU Machinery Directive 2006/42/EC.

Copyright © 2017 Douglas Dynamics, LLC. All rights reserved. This material may not be reproduced or copied, in whole or in part, in any printed, mechanical, electronic, film, or other distribution and storage media, without the written consent of TrynEx International, LLC. Authorization to photocopy items for internal or personal use by TrynEx International outlets or spreader owner is granted.

TrynEx International reserves the right under its product improvement policy to change construction or design details and furnish equipment when so altered without reference to illustrations or specifications used. TrynEx International may require or recommend optional equipment for spreaders. TrynEx International offers a limited warranty for all spreaders and accessories. See separately printed page for this important information. The following are registered (®) trademarks of Douglas Dynamics, LLC: TurfEx®.

Printed in U.S.A.